



# BEIJING EPSOLAR TECHNOLOGY CO.,LTD.

Email: [chris.du@epsolarpv.com](mailto:chris.du@epsolarpv.com) [www.epsolarpv.com](http://www.epsolarpv.com)

---

## Company Profiles

EPSOLAR was established in March, 2007. Managed by the brilliant leader and experienced technical engineer who was in solar PV field for more than 10 years; it becomes the leading manufacture for solar charge controller in the world now. It is committed to international high quality standard. All the controllers have CE certificate and we are ISO9001 certified too.

EPSOLAR designs, manufactures and sells solar charge controller under its own brand “EPSOLAR” to PV system integrator or distributor in more than 50 countries, such as Germany, France, Spain etc., EPSOLAR controller is used in many projects both domestic and abroad, such as the solar lights in Bird Nest for 2008 Olympic Games

EPSOLAR is the professional manufacture for solar charge controller with the production capacity about 400,000 piece annually. It has more than 1000m<sup>2</sup> workshop contains testing center and 20 production lines. It also has a strong working team, 5 persons in R&D department, 10 persons in sales department, 5 persons in administration。

EPSOLAR controller is mainly for stand alone PV system, such as solar home system, solar street light system, solar power system or telecom-communication system etc. It ranges from 5A to 200A with high reliability.

EPSOLAR updates the design and technology all the time. Our innovation can keep you one step ahead.



# BEIJING EPSOLAR TECHNOLOGY CO.,LTD.

Email: [chris.du@epsolarpv.com](mailto:chris.du@epsolarpv.com) [www.epsolarpv.com](http://www.epsolarpv.com)

---

## Overview of devices:

### ***Solar home system controller with power switch(10A to 30A,12/24V)***

- 1.EPHC-ST
- 2.EPHC-EC
- 3.EPIP20-H
- 4.EPIP20-D(Solar controller with remote meter)
- 5.EPIP30(Solar controller with LCD display)

### ***Duo battery solar charge controller***

- 6.EPIP20-DB
- 7.Remote meter for duo-battery solar controller

### ***Solar street light controller with light and timer control(10A to 20A,12/24V)***

- 8.EPRC-MF (Waterproof solar controller IP66)
- 9.EPRC-ST
- 10.EPRC-EC
- 11.EPIP20-R
- 12.EPDC-2L (Duo load solar controller)  
EPIP20-2L(Duo load solar controller)
- 13.EPRC-MT(Duo timer solar controller)  
EPIP20-MT(Duo timer solar controller)
- 14.EPRC-G(Solar & electricity net hybrid controller)
- 15.EPIP20-LT(solar controller with LCD display and working mode setting function)

### ***Solar power station controller(30A to 60A,12/24/48V)***

- 16.EPIP602
- 17.EPIP603
- 18.EPIP4820IDC,24V or 48V,100A or 200A



# BEIJING EPSOLAR TECHNOLOGY CO.,LTD.

Email: [chris.du@epsolarpv.com](mailto:chris.du@epsolarpv.com) [www.epsolarpv.com](http://www.epsolarpv.com)

## SOLAR CONTROLLER FOR SOLAR HOME SYSTEMS

It is the second generation of the small solar controller, more reliable, and economical. It is ideal for rural electrification system.

- Microcontroller digital accuracy
- PWM charge mode & state of charge (SOC)
- Fully automatic operation & Electronic protections
- Temperature Compensation, with external temperature sensor
- Big terminals, big distance between terminals.

MODEL NO: EPHC-ST

EPHC-ST5: 12 VOLT or 12/24 VOLT auto work, 5 AMPS (for PV and load)

EPHC-ST10: 12 VOLT or 12/24 VOLT auto work, 10 AMPS (for PV and load)

Equalisation voltage: 14.8 Volt

High voltage disconnect (HVD): 14.4 Volt

Float voltage: 13.6 Volt

Low voltage disconnect (LVD): 11.1 Volt

Low voltage reconnect (LVR): 12.6 Volt

Self-consumption: 6mA maximum

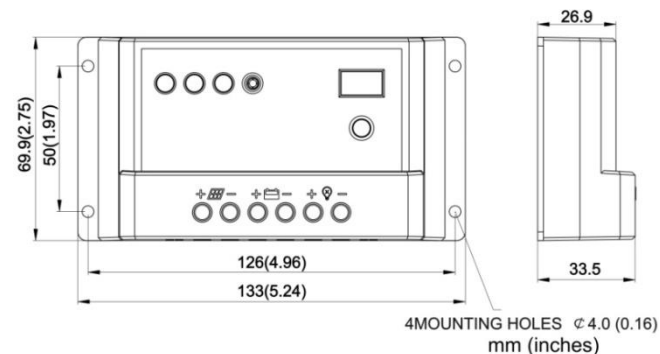
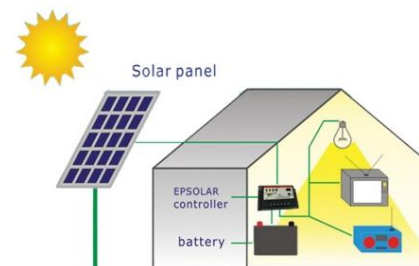
Temperature Compensation:  $-30\text{mV}/^{\circ}\text{C}/12\text{V}$

Terminals: for wire sizes to 6mm<sup>2</sup>

Temperature:  $-35^{\circ}\text{C}$  to  $+55^{\circ}\text{C}$

Dimension: 133x69.9mm

Compliance: CE





# BEIJING EPSOLAR TECHNOLOGY CO.,LTD.

Email: [chris.du@epsolarpv.com](mailto:chris.du@epsolarpv.com) [www.epsolarpv.com](http://www.epsolarpv.com)

## SOLAR CONTROLLER FOR SOLAR HOME SYSTEMS

EPSOLAR's high quality and reliability is now available in a low cost solar controller. The EPHC Controller is ideal for rural electrification systems. It provides many features and benefits.

MODEL NO: EPHC

EPHC-5: 12 VOLT or 12/24 VOLT auto work, 5 AMPS

EPHC-10: 12 VOLT or 12/24 VOLT auto work, 10 AMPS

Regulation point: 14.4 Volt

Float voltage: 13.6Volt

Low voltage disconnect: 11.1 Volt

Low voltage Reconnect: 12.6 Volt

Self-consumption: 6mA maximum

Electronic protections

Terminals: for wire sizes to 2.5mm<sup>2</sup>

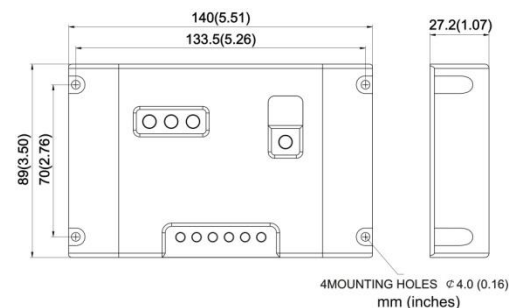
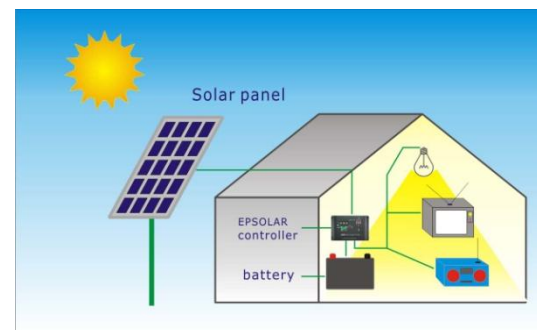
Type of Charging: series PWM

Temperature: -35°C to +55°C

Weight: 250g

Dimension: 140x89x27.2mm

Compliance: CE





# BEIJING EPSOLAR TECHNOLOGY CO.,LTD.

Email: [chris.du@epsolarpv.com](mailto:chris.du@epsolarpv.com) [www.epsolarpv.com](http://www.epsolarpv.com)

## SOLAR CONTROLLER FOR SOLAR HOME SYSTEM

EPSOLAR's high quality and reliability is now available in a low cost solar controller. The EPIP20-H Controller is designed for medium solar power system.

MODEL NO: EPIP20-H

EPIP20-H-15: 12 VOLT or 12/24 VOLT auto work, 15 AMPS

EPIP20-H-20: 12 VOLT or 12/24 VOLT auto work, 20 AMPS

Regulation point: 14.4 Volt

Float voltage: 13.6Volt

Low voltage disconnect: 11.1Volt

Low voltage Reconnect: 12.6 Volt

Self-consumption: 10mA maximum

Electronic protections

Terminals: for wire sizes to 6mm<sup>2</sup>

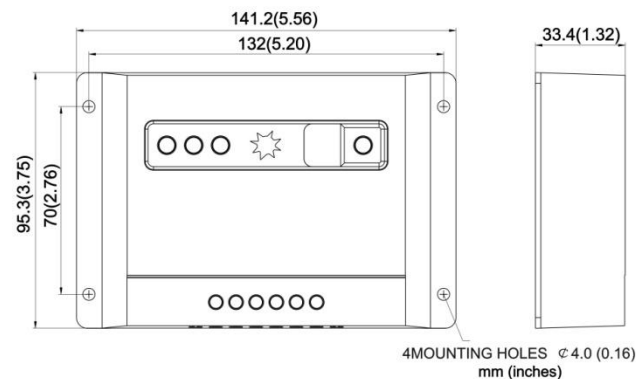
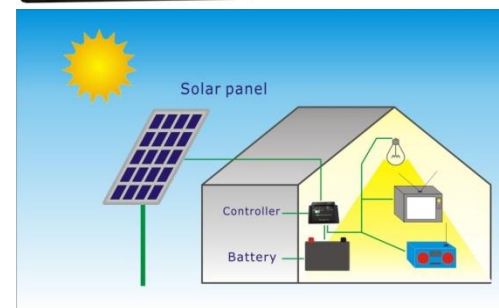
Type of Charging: series PWM

Temperature: -35°C to +55°C

Weight: 250g

Dimension: 141\*96\*34mm

Compliance: CE





# BEIJING EPSOLAR TECHNOLOGY CO.,LTD.

Email: [chris.du@epsolarpv.com](mailto:chris.du@epsolarpv.com) [www.epsolarpv.com](http://www.epsolarpv.com)

## *Solar controller for solar home system with remote meter*

Solar home system controller, with remote meter. It provides long distance surveillance, suitable for rural communications system, traffic system, etc.

MODEL NO.: EPIP20-D

EPIP20D-10: 12 VOLT or 12/24 VOLT auto work, 10Amps

EPIP20D-20: 12 VOLT or 12/24 VOLT auto work, 20Amp

Regulation point: 14.4 Volt

Float voltage: 13.6Volt

Low voltage disconnect: 11.1 Volt

Low voltage Reconnect: 12.6 Volt

Self-consumption: 6mA maximum

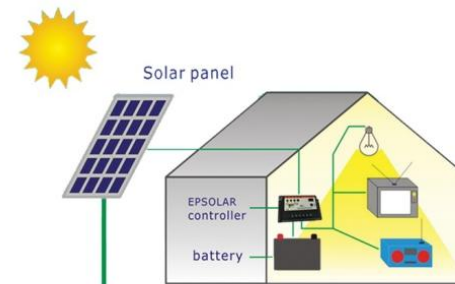
Electronic protections

Terminals: 6mm<sup>2</sup>

Type of Charging: series PWM

Temperature Compensation:  $-30\text{mV}/^{\circ}\text{C}/12\text{V}$

Temperature:  $-35^{\circ}\text{C}$  to  $+55^{\circ}\text{C}$





# BEIJING EPSOLAR TECHNOLOGY CO.,LTD.

Email: [chris.du@epsolarpv.com](mailto:chris.du@epsolarpv.com) [www.epsolarpv.com](http://www.epsolarpv.com)

## SOLAR CONTROLLER

### FOR SOLAR POWER SYSTEM WITH DIGITAL AND SYMBOL DISPLAY

EPSOLAR EPIP is the second generation with high quality and reliability.

Adds new features and protections using highly advance technology

Provides longer battery life and improved system performance

Sets new standards for reliability and self-diagnostics

MODEL NO: EPIP30

EPIP30-20: 12/24 VOLT auto work, 20 AMPS

EPIP30-30: 12/24 VOLT auto work, 30 AMPS

Microprocessor which is made in USA

PWM or ON/OFF series battery charging options

State of charge (SOC) battery regulation

Battery Ah setting, boost charging, equalising charging, float charging

Automatic load reconnection, manual load switch

Temperature compensation

LCD display: SOC as a fuel gauge, all system parameters in digital value, system status as symbols

Full circuit protection, electronic fuse • Field adjustable parameters by four buttons

Load control option: ON/OFF, Dusk-to-Dawn, On + setting hours, setting time ON/OFF. (For type -II)

Regulation point: 14.4 Volt

Low voltage disconnect: 11.1Volt

Low voltage Reconnect: 12.6 Volt

Self-consumption: 10mA maximum

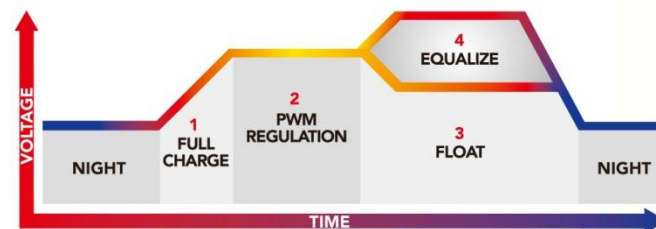
Terminals: for wire sizes to 10mm<sup>2</sup>

Temperature: -35°C to +55°C

Weight: 250g

Dimension: 188.9x130x51.70mm

Compliance: CE





# BEIJING EPSOLAR TECHNOLOGY CO.,LTD.

Email: [chris.du@epsolarpv.com](mailto:chris.du@epsolarpv.com) [www.epsolarpv.com](http://www.epsolarpv.com)

## SOLAR CONTROLLER WITH TWO BATTERY CHARGING

EPSOLAR's duo-battery charging solar controller, For RVs, Caravans, and boats.

Adjust options:

1. Battery type selection.
2. Two battery charging priority(from 0-100%)
3. Charging frequency selection.

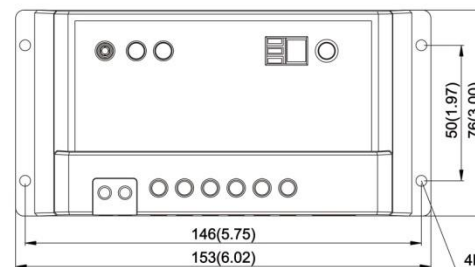
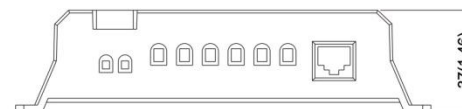
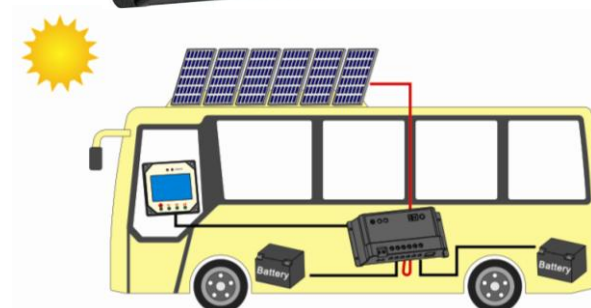
MODEL NO: EPIP20-DB

EPIP20-DB: 12 VOLT or 12/24 VOLT auto work, 10 AMPS

EPIP20-DB: 12 VOLT or 12/24 VOLT auto work, 20 AMPS

Setpoint	Sealed battery	Flooded battery	Gel battery
Regulation voltage	14.2V	14.4V	14.6V
Boost voltage	14.4V	14.6V	14.8V
Float voltage	13.7V	13.7V	13.7V
Maximum solar voltage	30V(or 55V)		
Battery voltage range	1-15V		
Boost time	30 minutes		
Self-consumption	4mA at night, 10mA at charging		
Meterbus connection	8-pin RJ-45		
Temp. compensation	-30mV/12V		
Terminals	4mm <sup>2</sup>		
Temperature	-35°C to +55		

Note: all the data is for 12V, for 24V, please use 2x.



4Mountingholes  
D=4.0(0.16)  
mm (inches)

*Remote meter for duo battery solar controller*

*Remote monitor for duo battery solar system, good option for RVs, caravans and boat.*

Wall mounting board, can be mounted in or on the wall. With 10 meter cable

### **Specifications:**

**Rated voltage:** 12V, min voltage(suggest): 8.0V.

Strong backlight on: <23mA,

Low backlight on: <20mA

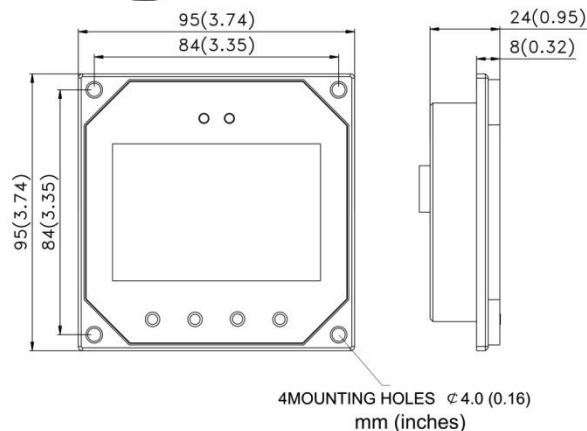
Backlight and LED indicator off: <17mA

**Operation temperature:** -40°C ~ +60°C

LCD operation temperature: -10°C ~ +40°C

**Humidity:** 0-100%

**Communication cable:** RJ45(8PIN), 10 meter.





# BEIJING EPSOLAR TECHNOLOGY CO.,LTD.

Email: [chris.du@epsolarpv.com](mailto:chris.du@epsolarpv.com) [www.epsolarpv.com](http://www.epsolarpv.com)

## SOLAR CONTROLLER WITH FREE MAINTENANCE

The MF series controller provides automatic lighting control function, and its 100% water-proof, ensure longer lifetime. Good for humidity area, such as outside pathway lighting, parking area, but station, boat, etc.

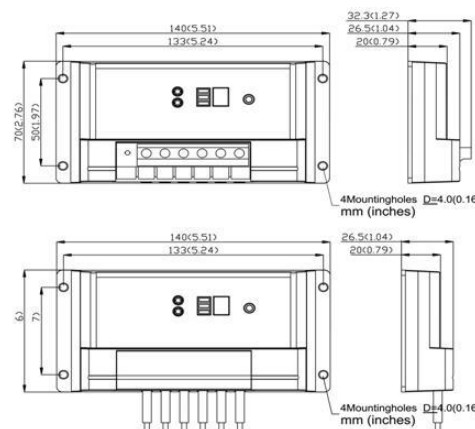
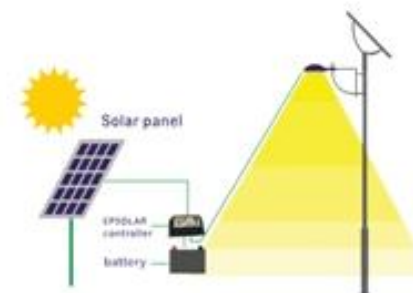
- Microcontroller digital accuracy
- PWM charge mode & state of charge (SOC)
- Fully automatic operation & Electronic protections
- Detects day and night using the PV array, timer setting
- Temperature compensation, with external temperature sensor
- Water proof, IP66

MODEL NO: EPRC-MF

EPRC-MF5: 12 VOLT or 12/24 VOLT auto work, 5 AMPS (for PV and load)

EPRC-MF10: 12 VOLT or 12/24 VOLT auto work, 10 AMPS (for PV and load)

- Equalisation voltage: 14.8 Volt
- High voltage disconnect (HVD): 14.4Volt
- Float voltage: 13.6Volt
- Low voltage disconnect (LVD): 11.1 Volt
- Low voltage reconnect (LVR): 12.6 Volt
- Self-consumption: 6mA maximum
- Temperature Compensation:  $-30\text{mV}/^{\circ}\text{C}/12\text{V}$
- Terminals: for wire sizes to 6mm<sup>2</sup>
- Temperature:  $-35^{\circ}\text{C}$  to  $+55^{\circ}\text{C}$
- Compliance: CE





# BEIJING EPSOLAR TECHNOLOGY CO.,LTD.

Email: [chris.du@epsolarpv.com](mailto:chris.du@epsolarpv.com) [www.epsolarpv.com](http://www.epsolarpv.com)

## SOLAR CONTROLLER FOR SOLAR STREET LIGHT SYSTEMS

It's the second generation of the EPRC solar controller. It provides automatic lighting control function. Good for street and pathway lighting, parking area, bus station and etc.

- Microcontroller digital accuracy
- PWM charge mode & state of charge (SOC)
- Fully automatic operation & Electronic protections
- Detects day and night using the PV array, timer setting
- Double digital LED display, numbers equal to timer setting
- Temperature compensation, with external temperature sensor
- Big terminals, big distance between terminals.

MODEL NO: EPRC-ST

EPRC-ST5: 12 VOLT or 12/24 VOLT auto work, 5 AMPS (for PV and load)

EPRC-ST10: 12 VOLT or 12/24 VOLT auto work, 10 AMPS (for PV and load)

Equalisation voltage: 14.8 Volt

High voltage disconnect (HVD): 14.4 Volt

Float voltage: 13.6 Volt

Low voltage disconnect (LVD): 11.1 Volt

Low voltage reconnect (LVR): 12.6 Volt

Self-consumption: 6mA maximum

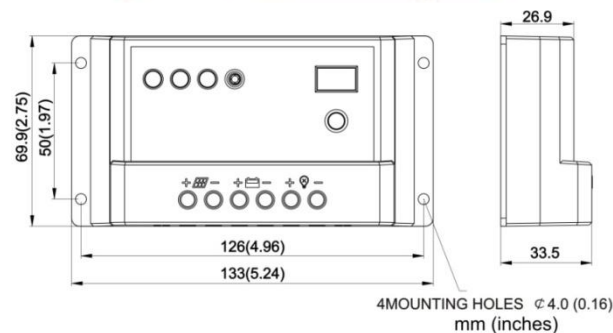
Temperature Compensation:  $-30\text{mV}/^{\circ}\text{C}/12\text{V}$

Terminals: for wire sizes to 6mm<sup>2</sup>

Temperature:  $-35^{\circ}\text{C}$  to  $+55^{\circ}\text{C}$

Dimension: 133x69.9x33.5mm

Compliance: CE





# BEIJING EPSOLAR TECHNOLOGY CO.,LTD.

Email: [chris.du@epsolarpv.com](mailto:chris.du@epsolarpv.com) [www.epsolarpv.com](http://www.epsolarpv.com)

## SOLAR CONTROLLER

### FOR SOLAR SYSTEM WITH AUTOMATIC LIGHTING CONTROL AND TIMER FUNCTIONS

EPSOLAR's high quality and reliability is now available in a low cost solar controller. The EPRC Controller is designed with a microcontroller for automatic lighting control functions.

MODEL NO: EPRC

EPRC-5: 12 VOLT or 12/24 VOLT auto work, 5 AMPS

EPRC-10: 12 VOLT or 12/24 VOLT auto work, 10 AMPS

Regulation point: 14.4 Volt

Float voltage: 13.6Volt

Low voltage disconnect: 11.1Volt

Low voltage Reconnect: 12.6Volt

Self-consumption: 6mA maximum

Electronic protections

Terminals: for wire sizes to 2.5mm<sup>2</sup>

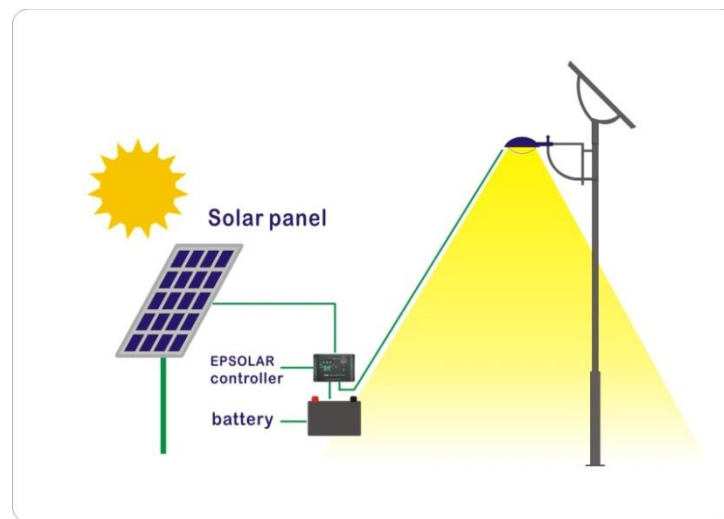
Type of Charging: series PWM

Temperature: -35°C to +55°C

Weight: 250g

Dimension: 140x90.5x27.2mmmm

Compliance: CE





# BEIJING EPSOLAR TECHNOLOGY CO.,LTD.

Email: [chris.du@epsolarpv.com](mailto:chris.du@epsolarpv.com) [www.epsolarpv.com](http://www.epsolarpv.com)

## SOLAR CONTROLLER

### FOR SOLAR SYSTEM WITH AUTOMATIC LIGHTING CONTROL AND TIMER FUNCTIONS

EPSOLAR's high quality and reliability is now available in a low cost solar controller. The EPIP20-R Controller is designed with a microcontroller for automatic lighting control functions.

MODEL NO: EPIP20-R

EPIP20-R-15: 12 VOLT or 12/24 VOLT auto work, 15 AMPS

EPIP20-R-20: 12 VOLT or 12/24 VOLT auto work, 20 AMPS

Regulation point: 14.4 Volt

Float voltage: 13.6Volt

Low voltage disconnect: 11.1 Volt

Low voltage Reconnect: 12.6 Volt

Self-consumption: 10mA maximum

Electronic protections

Terminals: for wire sizes to 6mm<sup>2</sup>

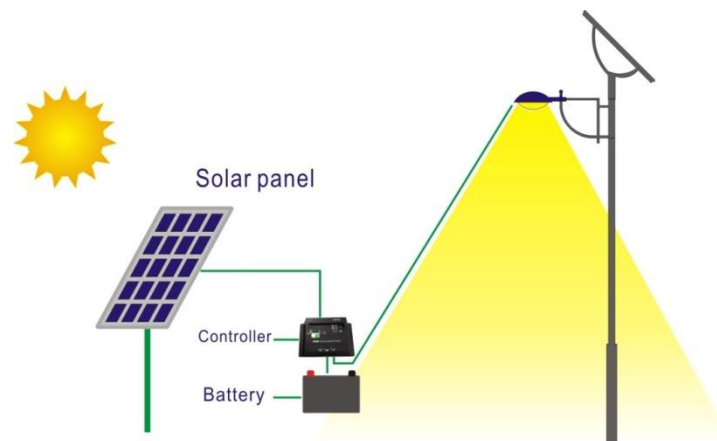
Type of Charging: series PWM

Temperature: -35°C to +55°C

Weight: 250g

Dimension: 141\*96\*34mm

Compliance: CE





# BEIJING EPSOLAR TECHNOLOGY CO.,LTD.

Email: [chris.du@epsolarpv.com](mailto:chris.du@epsolarpv.com) [www.epsolarpv.com](http://www.epsolarpv.com)

## SOLAR CONTROLLER

### FOR SOLAR SYSTEM WITH AUTOMATIC LIGHTING CONTROL AND TIMER FUNCTIONS

EPSOLAR's high quality and reliability is now available in a low cost solar controller.

The EPDC-2L combines EPRC design with two output terminals. EPDC controller is designed with a microcontroller for automatic lighting control functions.

MODEL NO: EPDC-2L

RATINGS: 12/24 VOLT auto-work

EPDC-2L-5: 12 VOLT or 12/24 VOLT auto work, 5 AMPS

EPDC-2L-10: 12 VOLT or 12/24 VOLT auto work, 10 AMPS

EPIP20-2L: 12 VOLT or 12/24 VOLT auto work, 15 AMPS or 20 AMPS

Regulation point: 14.4 Volt

Float voltage: 13.6 Volt

Low voltage disconnect: 11.1Volt

Low voltage Reconnect: 12.6 Volt

Self-consumption: 6mA maximum

Electronic protections

Terminals: for wire sizes to 2.5mm<sup>2</sup>

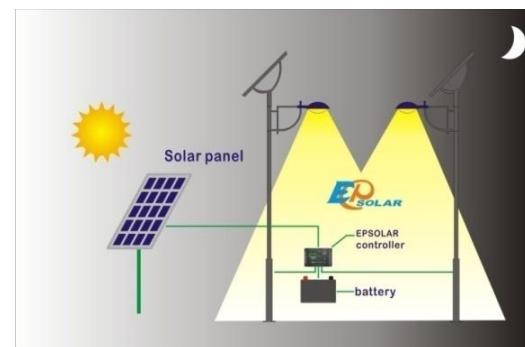
Type of Charging: series PWM

Temperature: -35°C to +55°C

Weight: 250g

Dimension: 126x89x27.2mm

Compliance: CE





# BEIJING EPSOLAR TECHNOLOGY CO.,LTD.

Email: [chris.du@epsolarpv.com](mailto:chris.du@epsolarpv.com) [www.epsolarpv.com](http://www.epsolarpv.com)

## SOLAR CONTROLLER

### FOR SOLAR SYSTEM WITH AUTOMATIC LIGHTING CONTROL AND TIMER FUNCTIONS

EPSOLAR's high quality and reliability is now available in a low cost solar controller. The EPRC-MT Combines EPRC design with dual timer function. Controller is designed with a microcontroller for automatic lighting control functions.

MODEL NO: EPRC-MT

RATINGS: 12/24 VOLT auto-work

EPRC-ST-MT-5: 12 VOLT or 12/24 VOLT auto work, 5 AMPS

EPRC-ST-MT-10: 12 VOLT or 12/24 VOLT auto work, 10 AMPS

EPIP20-MT: 12 VOLT or 12/24 VOLT auto work, 15 AMPS or 20 AMPS

Regulation point: 14.4 Volt

Float voltage: 13.6Volt

Low voltage disconnect: 11.1Volt

Low voltage Reconnect: 12.6 Volt

Self-consumption: 6mA maximum

Electronic protections

Terminals: for wire sizes to 6mm<sup>2</sup>

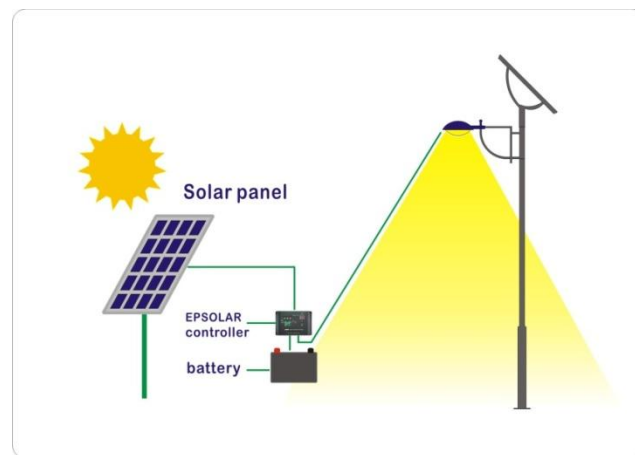
Type of Charging: series PWM

Temperature: -35°C to +55°C

Weight: 250g

Dimension: 133x69.9x33.5mm

Compliance: CE





# BEIJING EPSOLAR TECHNOLOGY CO.,LTD.

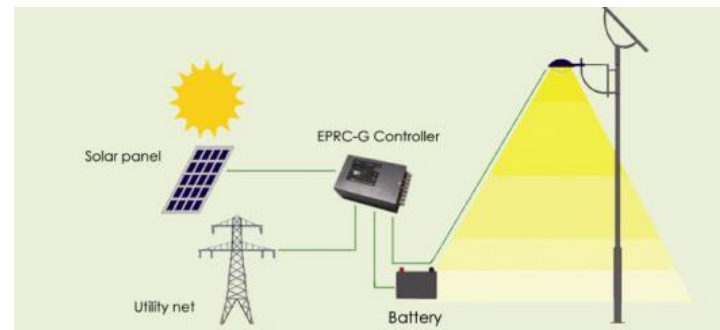
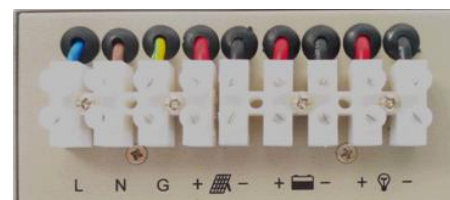
Email: [chris.du@epsolarpv.com](mailto:chris.du@epsolarpv.com) [www.epsolarpv.com](http://www.epsolarpv.com)

The controller provides the load power from solar or utility electricity . Solar power supply first and electricity feed will be the supplement of the system.

- Specially designed for solar/utility hybrid system
- Battery backup supply power first, provide continuous power supply
- Intelligent SOC control
- Microcontroller digital accuracy
- PWM charge mode
- Temperature compensation
- Electronic protections
- Detects day & nights, using the PV array, timer setting

EPRC-G10:12 or 24V,10A  
EPRC-G20:12 or 24V,20A  
Load:60W,100W,200W,400W

- Regulation point:** 14.4 Volt
- Float voltage:** 13.6Volt
- Low voltage disconnect:** 11.1Volt
- Low voltage Reconnect:** 12.6 Volt
- Self-consumption:** 6mA maximum
- Electronic protections**
- Terminals:** for wire sizes to 6mm<sup>2</sup>
- Type of Charging:** series PWM
- Compliance:** CE





# BEIJING EPSOLAR TECHNOLOGY CO.,LTD.

Email: [chris.du@epsolarpv.com](mailto:chris.du@epsolarpv.com) [www.epsolarpv.com](http://www.epsolarpv.com)

## SOLAR CONTROLLER

### FOR SOLAR POWER SYSTEM WITH DIGITAL AND SYMBOL DISPLAY

EPSOLAR EIP20-LT provides similar function as the EPIP series solar controller, but with modifications function.

The symbols on LCD offers better and direct performance.

More reliable and economical.

Work mode:

ON/OFF MODE

Lighting ON + exact time OFF

Exact time ON/OFF

Exact time ON/OFF (option: for four season modification)

MODEL NO: EPIP20-LT

EPIP20-LT-15: 12 VOLT OR 12/24 VOLT auto work, 15AMPS

EPIP20-LT-20: 12 VOLT OR 12/24 VOLT auto work, 20AMPS

Regulation point: 14.4 Volt

Float voltage: 13.6Volt

Low voltage disconnect: 11.1Volt

Low voltage Reconnect: 12.6 Volt

Self-consumption: 6mA maximum

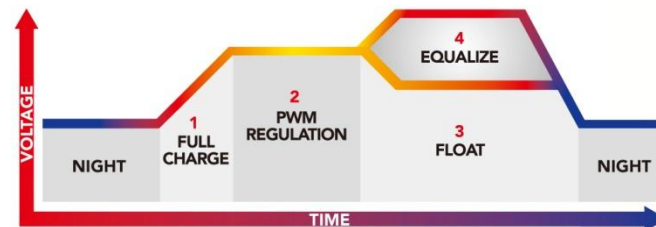
Terminals: for wire sizes to 6mm<sup>2</sup>

Temperature: -35°C to +55°C

Weight: 500g

Dimension: 133x89x41.6mm

Compliance: CE





# BEIJING EPSOLAR TECHNOLOGY CO.,LTD.

Email: [chris.du@epsolarpv.com](mailto:chris.du@epsolarpv.com) [www.epsolarpv.com](http://www.epsolarpv.com)

## SOLAR CONTROLLER

### FOR SOLAR POWER SYSTEM WITH DIGITAL AND SYMBOL DISPLAY

EPSOLAR EPIP is the second generation with high quality and reliability.

Adds new features and protections using highly advance technology

Provides longer battery life and improved system performance

Sets new standards for reliability and self-diagnostics

MODEL NO: EPIP602

EPIP602: 12/24 or 24/48 VOLT auto work, 30, 40,50 or 60 AMPS

Microprocessor which is made in USA

PWM or ON/OFF series battery charging options

State of charge (SOC) battery regulation

Battery Ah setting, boost charging, equalising charging, float charging

Automatic load reconnection, manual load switch

Temperature compensation

LCD display: SOC as a fuel gauge, all system parameters in digital value, system status as symbols

Full circuit protection, electronic fuse • Field adjustable parameters by four buttons

Load control option: ON/OFF, Dusk-to-Dawn, On + setting hours, setting time ON/OFF. (For type -II)

Regulation point: 14.4 Volt

Float voltage: 13.6Volt

Low voltage disconnect: 11.1 Volt

Low voltage Reconnect: 12.5 Volt

Self-consumption: 10mA maximum

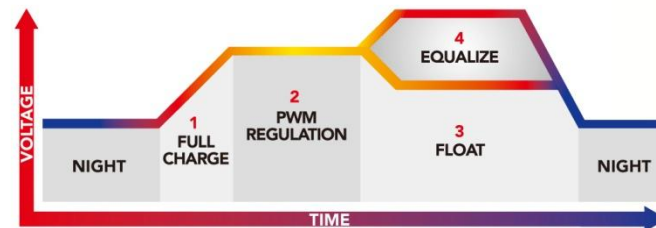
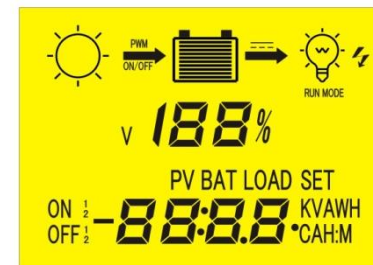
Terminals: for wire sizes to 10mm<sup>2</sup>

Temperature: -35°C to +55°C

Weight: 1000g or 2000g

Dimension: 197.3\*156mm

Compliance: CE





# BEIJING EPSOLAR TECHNOLOGY CO.,LTD.

Email: [chris.du@epsolarpv.com](mailto:chris.du@epsolarpv.com) [www.epsolarpv.com](http://www.epsolarpv.com)

## SOLAR CONTROLLER

### FOR SOLAR POWER SYSTEM WITH DIGITAL AND SYMBOL DISPLA

EPSOLAR EIP603 is the second generation with high quality and reliability.

Adds new features and protections using highly advance technology

Provides longer battery life and improved system performance

Sets new standards for reliability and self-diagnostics

MODEL NO: EPIP603

EPIP602: 12/24 or 24/48 VOLT auto work, 30, 40,50 or 60 AMPS

Microprocessor which is made in USA

PWM or ON/OFF series battery charging options

State of charge (SOC) battery regulation

RS232 communication relay, which can download data during the last 30 days.

Battery Ah setting, boost charging, equalising charging, float charging

Automatic load reconnection, manual load switch

Temperature compensation (with remote digital temperature sensor5m, RS232 cable 1.5m, PC software)

LCD display: SOC as a fuel gauge, all system parameters in digital value, system status as symbols

Full circuit protection, electronic fuse • Field adjustable parameters by four buttons

Regulation point: 14.4 Volt

Float voltage: 13.6Volt

Low voltage disconnect: 11.1Volt

Low voltage Reconnect: 12.6Volt

Self-consumption: 40mA maximum

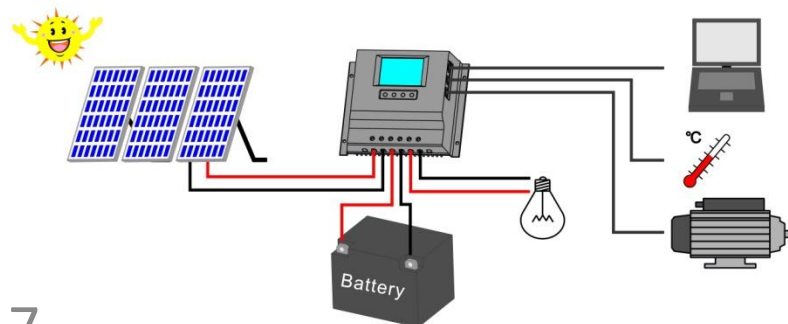
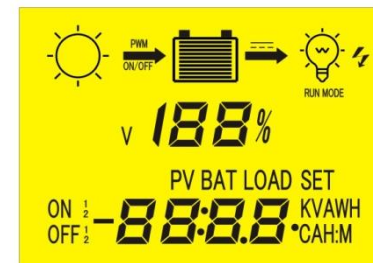
Terminals: for wire sizes to 10mm<sup>2</sup>

Temperature: -35°C to +55°C

Weight: 1000g or 2000g

Dimension: 188.9x158.5mm

Compliance: CE



## SOLAR CONTROLLER FOR SOLAR POWER STATION

EPIP-4820IDC : 24V, 48V, 100A, 200A

### Main features:

With independent control for each array, self-diagnostic, and alarm.

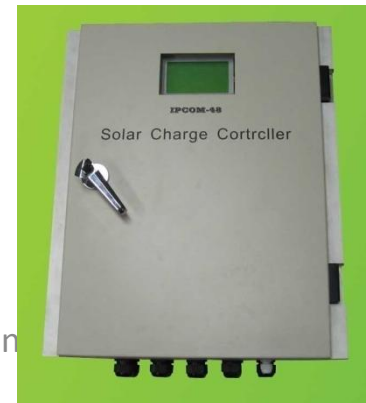
Provide working control for other backup generator.

Accurate digital temperature and voltage, signal collects, ensure precise calculation and control, prolong the battery lifetime.

Easy operation, LCD display module+4 keys

Control circuit is completely separated from main circuit with high anti-jamming ability

Can be equipped with RS232/485 joint or modem for remote surveillance and control PC monitoring software



### System terminals:

All the terminals are inside of the controller.

4 arrays terminals for solar panel

1 terminal for battery

1 terminal for load

1 9-pin tel. terminals, for computer or modem.

2 output for inverter signal, isolate the switch output signal.

2 input for inverter signal, isolate the switch input signal.

1 terminal for temperature sensor.

